

G-GZ125

Technical specifications

GRIP

Operating mode:

The double-acting cylinder is operated by pneum. compressed-air and actuates the power unit. An eccentric mechanism ensures a long service life and a constant gripping moment. In contrast to the parallel gripper, the gripping safety device is only capable of being closed -GS-.

Advantages:

High service life by robust mechanics

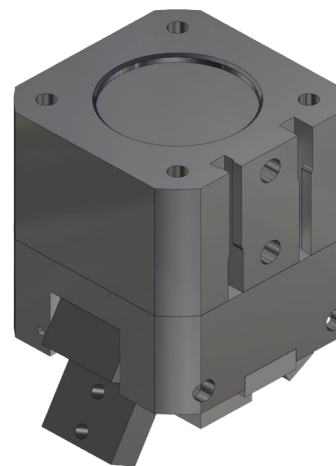
Constant torque over the entire opening and closing range of the fingers

Mechanical interface according to DIN EN ISO 9409-1

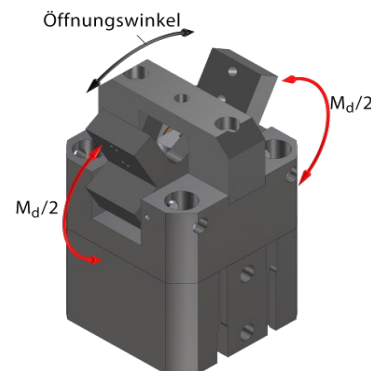
Low dead weight

Optional gripping force safety device "shutting"

Piston position monitoring using inductive proximity switch ZG-RSGU01 / 300-M8



Technical specifications		GZ125
Torque at 6 bar	Md [Nm]	87,5
Md factor	fg [Nm/bar]	14,6
Opening angle		60°
Gripper weight	mg [kg]	3
Air consumption	V [ccm]	70,4
Air supply	Pmax = 10 bar	G 1/8
Mounting flange	ISO	4 x M8 - TK ø100



Pos.	Description
1	Cylinder ISO
2	Counter sunk screw, galvanized
3	Piston cover
4	Magnetic ring
5	Sealing ring 1
6	Piston
7	Pressure spring
8	Power unit
9	Sealing ring 2
10	O-Ring
11	Housing
12	Cylindrical pin finger
13	Cylinder screw housing
14	Stop
15	Cylinder screw stop
16	Setscrew power unit
17	Sinter bronze connection
18	Eccentric
19	Finger
20	Cylindrical pin eccentric

Pincer gripper Ø125...

G-GZ125-IGS	ISO-flange gripping force safety device shutting
G-GZ125-IO	ISO-flange without gripping force safety device

Accessories GZ

ZG-RSGU-01	Signal transmitter with LED
ZG-RSGU01-300-M8	Signal transmitter with LED, with M8 plug

Spare Parts GG

EG-GG125-DS	Gasket kit for gripper size 125
-------------	---------------------------------

