

G-GP100

Technical specifications

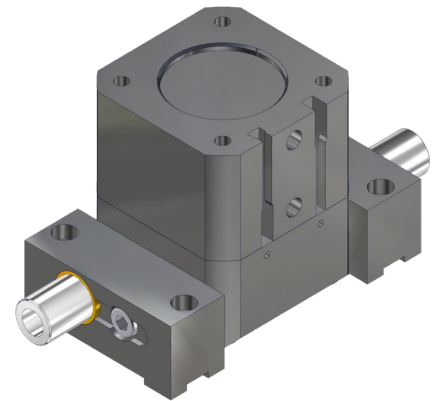


Operating mode:

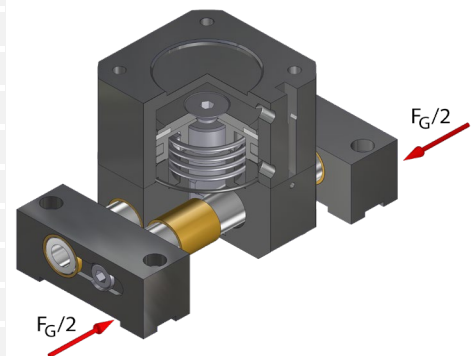
The double-acting cylinder is operated via pneum. compressed air and actuates the power unit. By two angularly arranged springs, which engage in the grooves of the bolts, the vertical is converted into horizontal movement.

Advantages:

- High life span
- Two stroke variants stroke 1 or stroke 2
- Mechanical interface according to DIN EN ISO 9409-12
- Low dead weight
- Optional gripping force safety device "opening" via pressure spring (7)
- Optional gripping force safety device "closing" via pressure spring (7)
- Depending on the mounting, gripping force safety device "closing" or "opening"
- Gripping force safety device
- Piston position detection by means of proximity switch ZG-RSGU01 / 300-M8

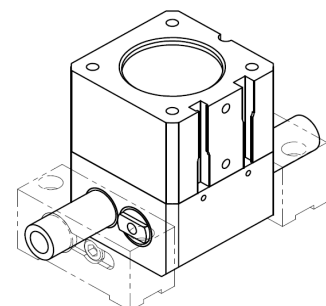


Technical specifications			GP100	
Gripping force at 6 bar	FG [N]	stroke 1	opening	3200
			shutting	2800
		stroke 2	opening	1600
			shutting	1400
Gripping force factor	fg [N/bar]	stroke 1	opening	530
			shutting	466
		stroke 2	opening	265
			shutting	233
Gripping force safety device	FS [N]	stroke 1	min.	770
			max.	1500
		Stroke 2	min.	385
			max.	750
System stroke per jaw	h [mm]	stroke 1	6	
		stroke 2	12	
Recommended component weight	mw [kg]		25	
Weight gripper	mg [kg]		1,9	
Air consumption per Hub	V [ccm]		38,6	
Air connection	Pmax = 10 bar		G 1/8	
Mounting flange	ISO		4 x M8 on TK ø80	



Parallel gripper Ø100...

G-GP100-I1-GÖ	ISO-flange, Hub 1 gripping force safety device opening
G-GP100-I1-GS	ISO-flange, Hub 1 gripping force safety device shutting
G-GP100-I1-O	ISO-flange, Hub 1 without gripping force safety device
G-GP100-I2-GÖ	ISO-flange, Hub 2 gripping force safety device opening
G-GP100-I2-GS	ISO-flange, Hub 2 gripping force safety device shutting
G-GP100-I2-O	ISO-flange, Hub 2 without gripping force safety device



G-GP100

Technical specifications

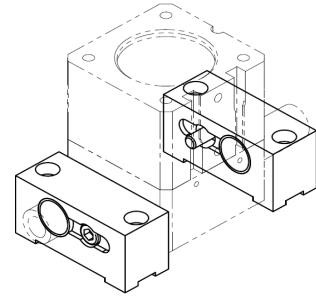
GRIP

Equipment GP

ZG-GP100-UB	Universal jaw for GP050 pair
ZG-RSGU-01	Signal transmitter with LED
ZG-RSGU01-300-M8	Signal transmitter with LED, with M8 plug

Spare parts GG

EG-GG100-DS	Gasket set for gripper size 100
-------------	---------------------------------



Pos.	Description
1	Cylinder ISO
2	Countersunk screw
3	Cap
4	Magnetic ring
5	Quadrat ring 1
6	Cone
7	Compression spring
8	Power unit 1/2
9	Quadrat ring 2
10	O- Ring
11	Housing
12	Cylinder head screw housing
13	Plain bearing bushing housing
14	Bolt 1/2
15	Universal jaw
16	Plain bearing bushing UB
17	Cylinder head screw UB

