

G-SWS160

Technical specifications

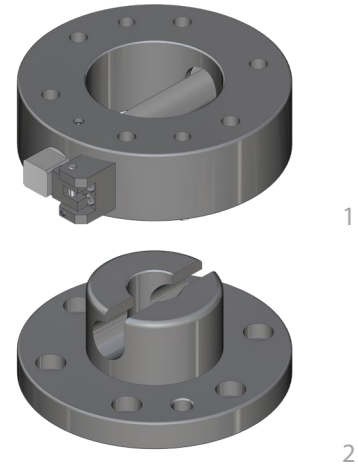


Operating mode:

By rotating the semi-cylindrical bolt by 180° the upper assembly (1) and the lower assembly (2) are braced in a form-closed manner

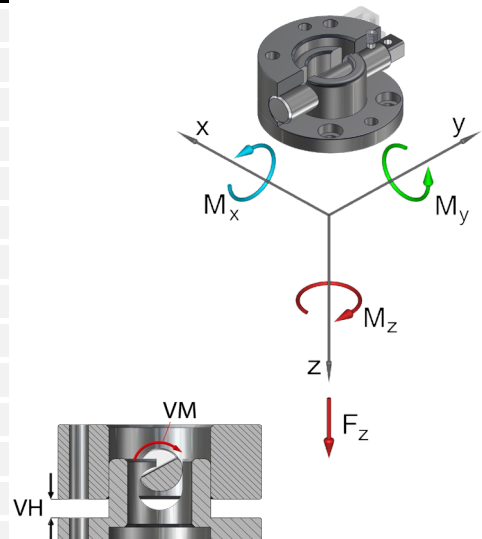
Advantages:

- Cost-effective alternative to the MGW
- Without hand lever, thereby low interference contours
- High repeat accuracy +/- 0,02 mm
- Optional connection of a power coupling MEK for electrical and pneumatical ducts
- Holds up to 10,000 changing cycles
- During locking, the lower assembly is pulled around the locking stroke
- Interface according to DIN EN ISO 9409-1



Technical specifications		SWS160	
Basic material		steel	steel, nitrated
External diameter x Height [mm]		160 x 70	
Pitch circle diameter [mm]		125	
Repeat accuracy +/- [mm]		0,02	
Tension Fz [N]		8.000	10.000
Compression -Fz [kN]		939	1.252
Torsion Mz [Nm]		750	1.000
Bending Mx, My [Nm]		850	1.000
Mass [kg]	upper assembly	6,6	
	lower assembly	3,85	
Recommended load [kg] *		100	120
Locking moment VM [Nm]		4 - 30	
Locking stroke VH [mm]		0 - 10	

* This guideline applies to the following assumptions:
Acceleration: 10m/s², gravity distance: 200 mm, 1,7 times safety



Quick change system Ø160, drilled according to ISO, steel...

G-SWS160-2O	upper assembly, with anti-rotation-protection
G-SWS160-2O-N	upper assembly, nitrated, with anti-rotation-protection
G-SWS160-2OEN	upper assembly, E-Mounting, nitrated, anti-rotation-p.
G-SWS160-2U	lower assembly
G-SWS160-2U-N	lower assembly, nitrated
G-SWS160-2UEN	lower assembly, E-Mounting, nitrated

Replacement semi-cylindrical bolt...

EG-SWS160-HB	for SWS160
--------------	------------

Replacement semi-cylindrical bolt safety...

EG-SWS160-VS2	for SWS160
---------------	------------

Square socket key...

ZG-VKS160-SW20	for SW 20
----------------	-----------

Pos.	Description
1	Upper assembly
2	Semi-cylindrical bolt
3	Setscrew
4	Index pin
5	Anti-rotation lock
9	Lower assembly

