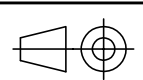


- Bestellnummer Oberteil
- G-MEK125-0-8Pk2-1E12
 - G-MEK125-0-8Pk3-1E12
 - G-MEK125-0-8Pk4-1E12

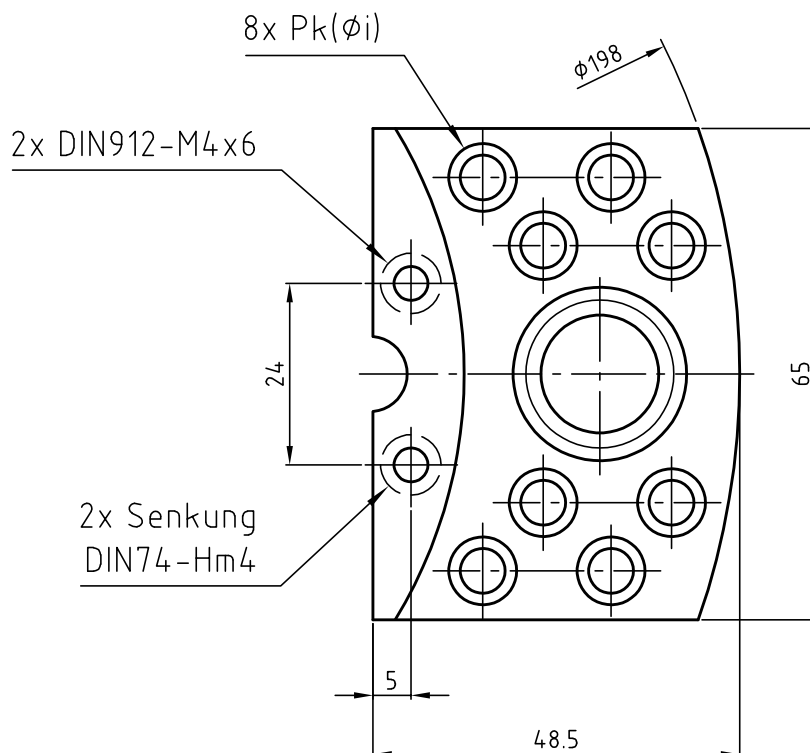
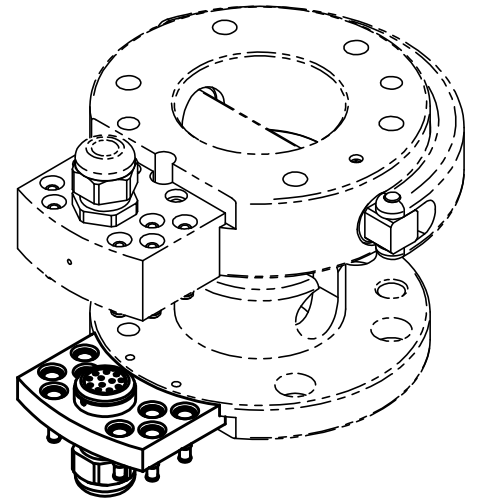
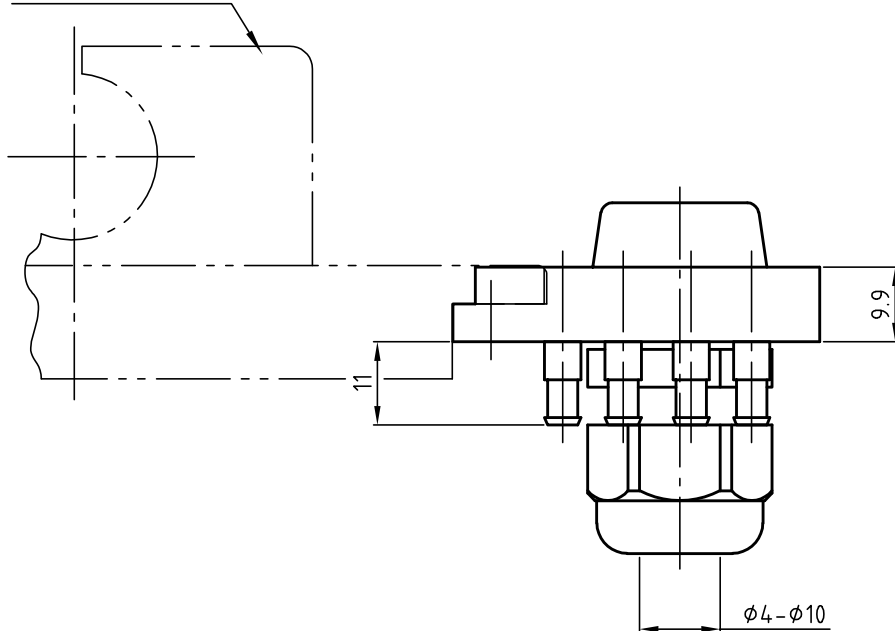
 - G-MEK125-0-8Pk2-1E4
 - G-MEK125-0-8Pk3-1E4
 - G-MEK125-0-8Pk4-1E4

Datum 10.11.2016 Maßstab 1:1

Zeichnungsnummer
G-MEK125-0-8P-1E



MGW125-2UE



Bestellnummer Unterteil

G-MEK125-U-8Pk2-1E12
 G-MEK125-U-8Pk3-1E12
 G-MEK125-U-8Pk4-1E12

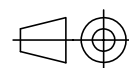
G-MEK125-U-8Pk2-1E4
 G-MEK125-U-8Pk3-1E4
 G-MEK125-U-8Pk4-1E4

Datum 10.11.2016

Maßstab 1:1

Zeichnungsnummer

G-MEK125-U-8P-1E



GRIP

GRIP GmbH Handhabungstechnik