

### Operating mode:

By operating the hand lever on the upper part (1), the crossway bolt is displaced radially. The crossway bolt is pressed into the bore of the lower part (2).

### Advantages:

Withstands high loads with low dead weight

Intuitive operation

Can be released and closed with one handle

High repeatability +/- 0.02 mm

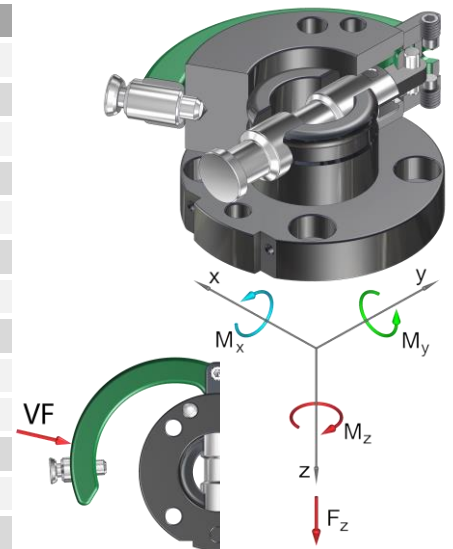
Holds up to 5,000 changing cycles

Optional connection of a power coupling SEK for electrical ducts

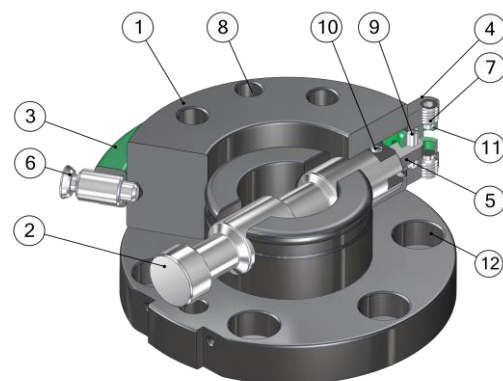
Interface according to DIN EN ISO 9409-1

Technical specifications		SHW100
Basic material		Al. anod.
External diameter x height [mm]		100 x 45
Pitch circle diameter [mm]		80
Repeatability +/- [mm]		0,02
Tension Fz [N]		1.000
Compression -Fz [kN]		219
Torsion Mz [Nm]		140
Bend Mx, My [Nm]		130
Mass [kg]	upper part	0,74
	lower part	0,35
Recommended load [kg] *		24
Locking force VF [N]		6 - 70
Locking stroke VH [mm]		0 - 1

\* This guideline applies to the following assumptions:  
Acceleration: 10 m/s<sup>2</sup>, gravity distance: 150 mm, 1,7 times safety



Pos.	Description
1	Upper part
2	Crossway bolt
3	Hand lever
4	Holder
5	Strap pin
6	Spring locking pin
7	Guiding screw
8	Index pin
9	Cylinder bolt BL
10	Cylinder bolt OB
11	Shim ring
12	Lower part



### Thrust lever change system Ø63...

G-SHW100-2OE	drilled acc. to ISO, upper part, E-Mount, Al, anodized
G-SHW100-2UE	drilled acc. to ISO, lower part, E-Mount, Al, anodized