

Operating mode:

By operating the hand lever on the upper part (1), the crossway bolt is displaced radially. The crossway bolt is pressed into the bore of the lower part (2).

Advantages:

Withstands high loads with low dead weight

Intuitive operation

Can be released and closed with one handle

High repeatability +/- 0.02 mm

Holds up to 5,000 changing cycles

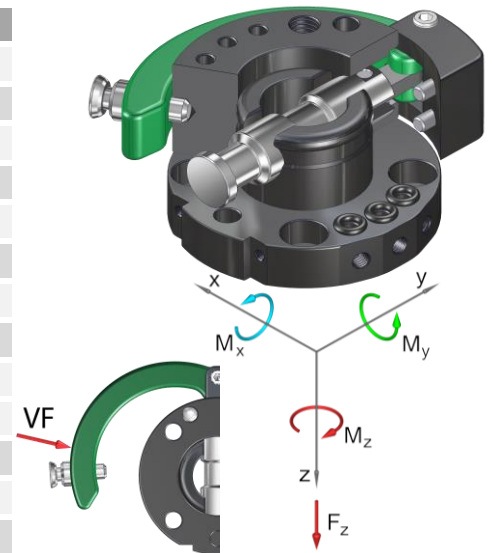
Optional connection of a power coupling SEK for electrical ducts

Interface according to DIN EN ISO 9409-1

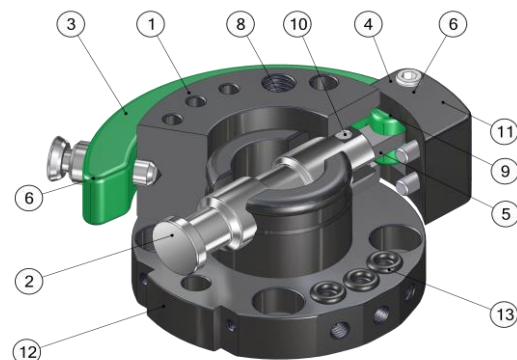
With 6 integrated pneumatic ducts

Technical specifications		SHW080-P
Basic material		Al. anod.
External diameter x height [mm]		80 x 37
Pitch circle diameter [mm]		63
Repeatability +/- [mm]		0,02
Tension Fz [N]		800
Compression -Fz [kN]		160
Torsion Mz [Nm]		100
Bend Mx, My [Nm]		100
Mass [kg]	upper part	0,41
	lower part	0,2
Recommended load [kg] *		16
Locking force VF [N]		Mai 60
Locking stroke VH [mm]		0 - 1
Pneumatic ducts	connection	3 x G1/8 & 3 x D=6
	max. pressure p [bar]	6

* This guideline applies to the following assumptions:
Acceleration: 10 m/s², gravity distance: 150 mm, double safety



Pos.	Description
1	Upper part
2	Crossway bolt
3	Hand lever
4	Holder
5	Strap pin
6	Spring locking pin
7	Guiding screw
8	Index pin
9	Cylinder bolt BL
10	Cylinder bolt QB
11	Shim ring
12	Lower part
13	O-ring



Thrust lever change system Ø80 with pneumatic ducts...

G-SHW080-2OEP	drilled acc. to ISO, upper part, E-Mount, 6 pneumatic ducts, Al, anodized
G-SHW080-2UEP	drilled acc. to ISO, lower part, E-Mount, 6 pneumatic ducts, Al, anodized