

G-GZ050

Technical specifications

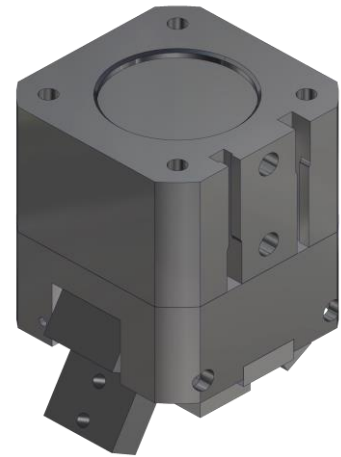
GRIP

Operating mode:

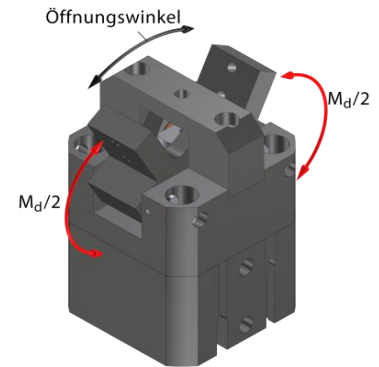
The double-acting cylinder is operated by pneum. compressed-air and actuates the power unit. An eccentric mechanism ensures a long service life and a constant gripping moment. In contrast to the parallel gripper, the gripping safety device is only capable of being closed -GS-.

Advantages:

- High service life by robust mechanics
- Constant torque over the entire opening and closing range of the fingers
- Mechanical interface according to DIN EN ISO 9409-1
- Low dead weight
- Optional gripping force safety device "shutting"
- Piston position monitoring using inductive proximity switch ZG-RSGU01 / 300-M8



Technical specifications		GZ050
Torque at 6 bar	Md [Nm]	4,9
Md factor	fg [Nm/bar]	0,8
Opening angle		60°
Gripper weight	mg [kg]	0,3
Operating pressure (with gripping force safety device)		5 ...6 bar
Operating pressure (without gripping force safety device)		2 ...6 bar
Air consumption	V [ccm]	4,2
Air supply	Pmax = 10 bar	M5
Mounting flange	ISO	4 x M4 - TK ø40
Operating temperature range [°C]		-30 to +120



Pos.	Description
1	Cylinder ISO
2	Counter sunk screw, galvanized
3	Piston cover
4	Magnetic ring
5	Sealing ring 1
6	Piston
7	Pressure spring
8	Power unit
9	Sealing ring 2
10	O-Ring
11	Housing
12	Cylindrical pin finger
13	Cylinder screw housing
14	Stop
15	Cylinder screw stop
16	Setscrew power unit
17	Sinter bronze connection
18	Eccentric
19	Finger
20	Cylindrical pin eccentric

Pincer gripper Ø50...

G-GZ050-IGS	ISO-flange gripping force safety device shutting
G-GZ050-IO	ISO-flange without gripping force safety device

Accessories GZ

ZG-RSGU-01	Signal transmitter with LED
ZG-RSGU01-300-M8	Signal transmitter with LED, with M8 plug

Spare Parts GG

EG-GG050-DS	Gasket kit for gripper size 050
-------------	---------------------------------

