

G-GP080

Technical specifications

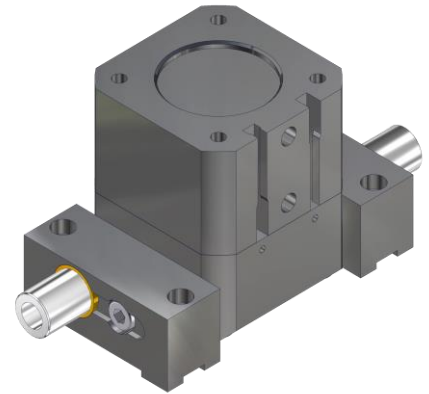


Operating mode:

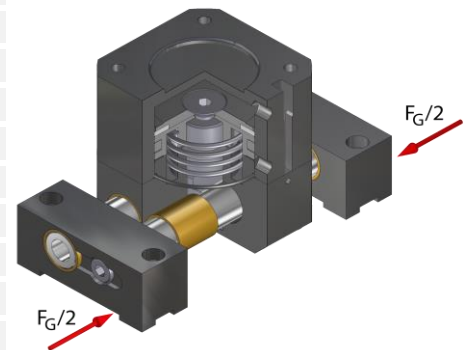
The double-acting cylinder is operated via pneum. compressed air and actuates the power unit. By two angularly arranged springs, which engage in the grooves of the bolts, the vertical is converted into horizontal movement.

Advantages:

- High life span
- Two stroke variants stroke 1 or stroke 2
- Mechanical interface according to DIN EN ISO 9409-12
- Low dead weight
- Optional gripping force safety device "opening" via pressure spring (7)
- Optional gripping force safety device "closing" via pressure spring (7)
- Depending on the mounting, gripping force safety device "closing" or "opening"
- Universal jaws (15) for easy mounting of specific fingers
- Piston position detection by means of proximity switch ZG-RSGU01 / 300-M8

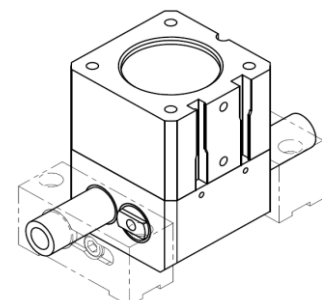


Technical specifications			GP080	
Gripping force at 6 bar	FG [N]	stroke 1	opening	1800
			shutting	1600
		stroke 2	opening	900
			shutting	800
Gripping force factor	fg [N/bar]	stroke 1	opening	300
			shutting	266
		stroke 2	opening	150
			shutting	133
Gripping force safety device	FS [N]	stroke 1	min.	320
			max.	790
		Stroke 2	min.	160
			max.	395
System stroke per jaw	h [mm]	stroke 1	5	
		stroke 2	10	
Recommended component weight		mw [kg]	15	
Weight gripper		mg [kg]	0,9	
Operating pressure (with gripping force safety device)			5 ...6 bar	
Operating pressure (without gripping force safety device)			2 ...6 bar	
Air consumption per Hub		V [ccm]	19,6	
Air connection		Pmax = 10 bar	M5	
Mounting flange		ISO	4 x M6 on TK ø63	
Operating temperature range [°C]			-30 to +120	



Parallel gripper Ø80...

G-GP080-I1-GÖ	ISO-flange, Hub 1 gripping force safety device opening
G-GP080-I1-GS	ISO-flange, Hub 1 gripping force safety device shutting
G-GP080-I1-O	ISO-flange, Hub 1 without gripping force safety device
G-GP080-I2-GÖ	ISO-flange, Hub 2 gripping force safety device opening
G-GP080-I2-GS	ISO-flange, Hub 2 gripping force safety device shutting
G-GP080-I2-O	ISO-flange, Hub 2 without gripping force safety device



G-GP080

Technical specifications

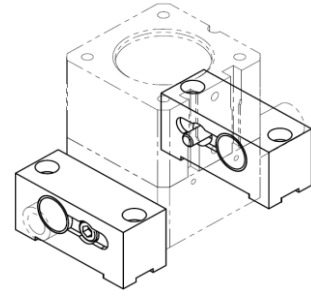


Equipment GP

ZG-GP080-UB	Universal jaw for GP080 pair
ZG-RSGU-01	Signal transmitter with LED
ZG-RSGU01-300-M8	Signal transmitter with LED, with M8 plug

Spare parts GG

EG-GG080-DS	Gasket set for gripper size 080
-------------	---------------------------------



Pos.	Description
1	Cylinder ISO
2	Countersunk screw
3	Cap
4	Magnetic ring
5	Quadrat ring 1
6	Cone
7	Compression spring
8	Power unit 1/2
9	Quadrat ring 2
10	O- Ring
11	Housing
12	Cylinder head screw housing
13	Plain bearing bushing housing
14	Bolt 1/2
15	Universal jaw
16	Plain bearing bushing UB
17	Cylinder head screw UB

