

# G-GP050

## Technical specifications

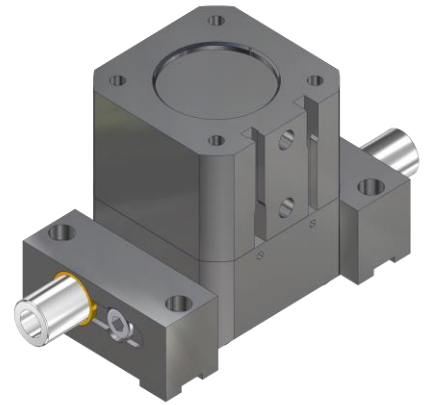


### Operating mode:

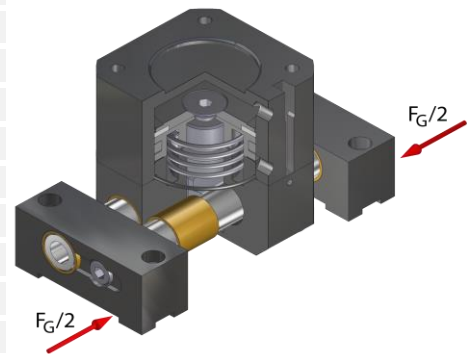
The double-acting cylinder is operated via pneum. compressed air and actuates the power unit. By two angularly arranged springs, which engage in the grooves of the bolts, the vertical is converted into horizontal movement.

### Advantages:

- High life span
- Two stroke variants stroke 1 or stroke 2
- Mechanical interface according to DIN EN ISO 9409-12
- Low dead weight
- Optional gripping force safety device "opening" via pressure spring (7)
- Optional gripping force safety device "closing" via pressure spring (7)
- Depending on the mounting, gripping force safety device "closing" or "opening"
- Universal jaws (15) for easy mounting of specific fingers
- Piston position detection by means of proximity switch ZG-RSGU01 / 300-M8

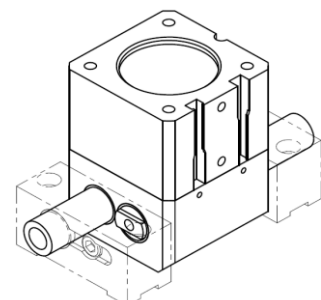


Technical specifications			GP050	
Gripping force at 6 bar	FG [N]	stroke 1	opening	650
			shutting	560
		stroke 2	opening	325
			shutting	280
Gripping force factor	fg [N/bar]	stroke 1	opening	108
			shutting	93
		stroke 2	opening	54
			shutting	46,5
Gripping force safety device	FS [N]	stroke 1	min.	340
			max.	480
		Stroke 2	min.	170
			max.	240
System stroke per jaw	h [mm]	stroke 1	3	
		stroke 2	6	
Recommended component weight		mw [kg]	5	
Weight gripper		mg [kg]	0,3	
Operating pressure (with gripping force safety device)			5 ...6 bar	
Operating pressure (without gripping force safety device)			2 ...6 bar	
Air consumption per Hub		V [ccm]	4,2	
Air connection		Pmax = 10 bar	M5	
Mounting flange		ISO	4 x M4 on TK ø40	
Operating temperature range [°C]			-30 to +120	



### Parallel gripper Ø50...

G-GP050-I1-GÖ	ISO-flange, Hub 1 gripping force safety device opening
G-GP050-I1-GS	ISO-flange, Hub 1 gripping force safety device shutting
G-GP050-I1-O	ISO-flange, Hub 1 without gripping force safety device
G-GP050-I2-GÖ	ISO-flange, Hub 2 gripping force safety device opening
G-GP050-I2-GS	ISO-flange, Hub 2 gripping force safety device shutting
G-GP050-I2-O	ISO-flange, Hub 2 without gripping force safety device



# G-GP050

Technical specifications

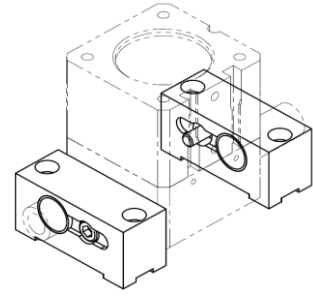


### Equipment GP

ZG-GP050-UB	Universal jaw for GP050 pair
ZG-RSGU-01	Signal transmitter with LED
ZG-RSGU01-300-M8	Signal transmitter with LED, with M8 plug

### Spare parts GG

EG-GG050-DS	Gasket set for gripper size 050
-------------	---------------------------------



Pos.	Description
1	Cylinder ISO
2	Countersunk screw
3	Cap
4	Magnetic ring
5	Quadrat ring 1
6	Cone
7	Compression spring
8	Power unit 1/2
9	Quadrat ring 2
10	O- Ring
11	Housing
12	Cylinder head screw housing
13	Plain bearing bushing housing
14	Bolt 1/2
15	Universal jaw
16	Plain bearing bushing UB
17	Cylinder head screw UB

