

# G-GIS009

Technical specifications



### Operating mode:

The internal grippers dip into drillings, enlarge their external diameter by expansion of the silicone membrane, under pressure, and thus frictionally engaged hold to the bore wall. When pressure is switched off, the silicone membrane self-reliant retracts into the grippers inside due to its elastic behavior.

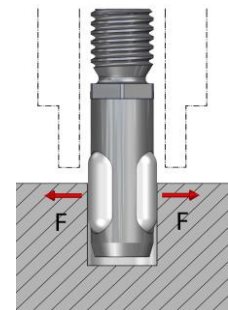
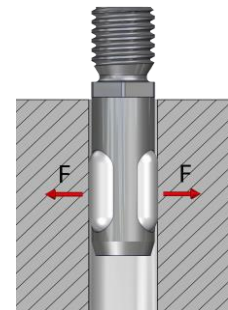
### Advantages:

- Minimum installation size possible
- Width across flats for assembly
- Minimum immersion depth
- Low gripper weight
- Simple gripper principle
- Cost-efficient
- Quick membrane replacement possible
- Indirect request via pressure switch in the supply line possible



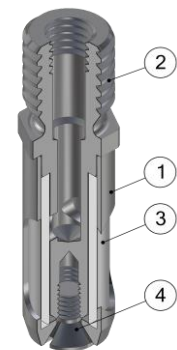
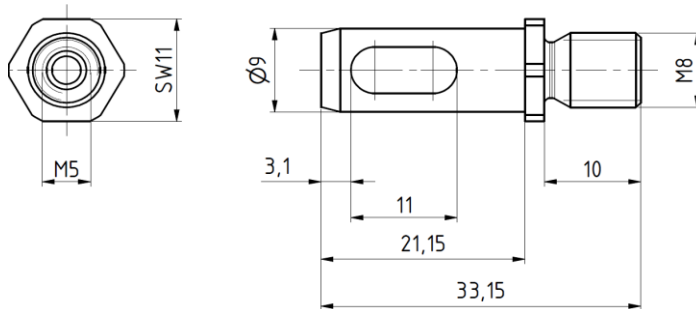
### Technical specifications

Technical specifications	GIS009
Working pressure [bar]	3 - 6
Grip force at 6 bar [N]	17
For bore diameter [mm]	9,1 – 10,0
Allowed component weight [kg]	1,7
Gripper weight [kg]	0.01
Compressed air connection Ø	M5
Assembly Ø	M8
Stroke cycles at ideal application conditions	500.000
Membrane material	Silicone rubber
Temperature range	-40° C to 300° C



### Limits of the application range

Minimum immersion depth of the membrane [%]	80
To protect the membrane from damage at low installation depth, use customers hull	DH = D <sub>GIS</sub> +10%
Reduced grip force, when the membrane is not completely covered	



### Internal gripper lowering Ø009...

G-GIS009 External diameter 9, screw thread M8

### Replacement tube

EG-GI009-S for internal gripper counter bore GIS009

Pos.	Description
1	Hull
2	Arbor
3	Tube
4	Counter sunk screw

# G-GIS010

Technical specifications



### Operating mode:

The internal grippers dip into drillings, enlarge their external diameter by expansion of the silicone membrane, under pressure, and thus frictionally engaged hold to the bore wall. When pressure is switched off, the silicone membrane self-reliant retracts into the grippers inside due to its elastic behavior.

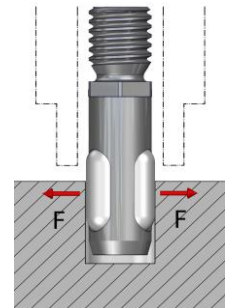
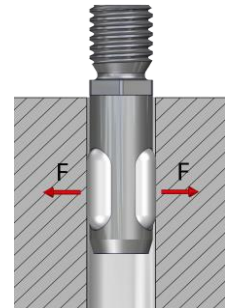
### Advantages:

- Minimum installation size possible
- Width across flats for assembly
- Minimum immersion depth
- Low gripper weight
- Simple gripper principle
- Cost-efficient
- Quick membrane replacement possible
- Indirect request via pressure switch in the supply line possible



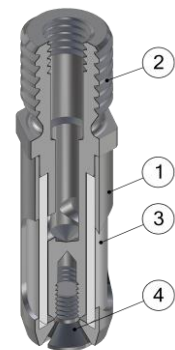
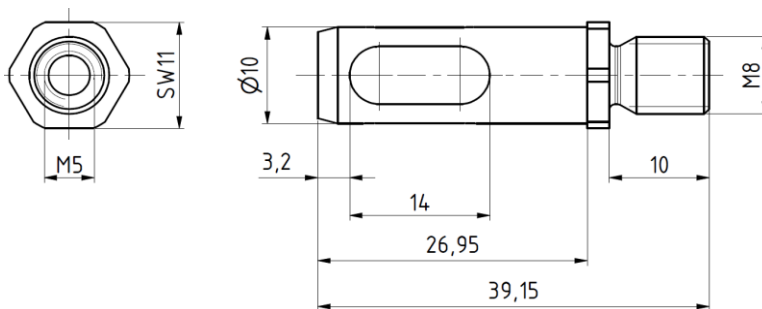
### Technical specifications

Technical specifications	GIS010
Working pressure [bar]	3 - 6
Grip force at 6 bar [N]	20
For bore diameter [mm]	10,1 – 11,0
Allowed component weight [kg]	2
Gripper weight [kg]	0.013
Compressed air connection Ø	M5
Assembly Ø	M8
Stroke cycles at ideal application conditions	500.000
Membrane material	Silicone rubber
Temperature range	-40° C to 300° C



### Limits of the application range

Minimum immersion depth of the membrane [%]	80
To protect the membrane from damage at low installation depth, use customers hull	DH = DGIS+10%
Reduced grip force, when the membrane is not completely covered	



### Internal gripper lowering Ø10...

G-GIS010 External diameter 10, screw thread M8

### Replacement tube

EG-GI010-S for internal gripper counter bore GIS010

Pos.	Description
1	Hull
2	Arbor
3	Tube
4	Counter sunk screw

# G-GIS011

Technical specifications



### Operating mode:

The internal grippers dip into drillings, enlarge their external diameter by expansion of the silicone membrane, under pressure, and thus frictionally engaged hold to the bore wall. When pressure is switched off, the silicone membrane self-reliant retracts into the grippers inside due to its elastic behavior.

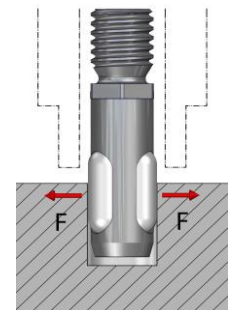
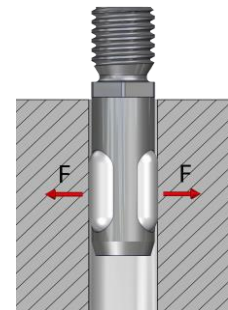
### Advantages:

- Minimum installation size possible
- Width across flats for assembly
- Minimum immersion depth
- Low gripper weight
- Simple gripper principle
- Cost-efficient
- Quick membrane replacement possible
- Indirect request via pressure switch in the supply line possible



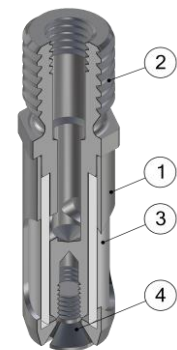
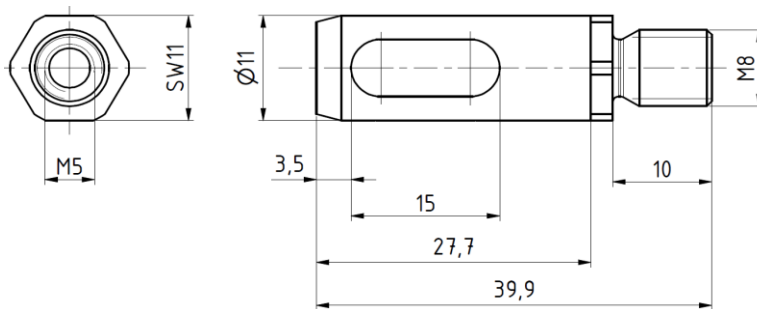
### Technical specifications

Technical specifications	GIS011
Working pressure [bar]	3 - 6
Grip force at 6 bar [N]	25
For bore diameter [mm]	11,1 – 12,0
Allowed component weight [kg]	2,5
Gripper weight [kg]	0.016
Compressed air connection Ø	M5
Assembly Ø	M8
Stroke cycles at ideal application conditions	500.000
Membrane material	Silicone rubber
Temperature range	-40° C to 300° C



### Limits of the application range

Minimum immersion depth of the membrane [%]	80
To protect the membrane from damage at low installation depth, use customers hull	DH = DGIS+10%
Reduced grip force, when the membrane is not completely covered	



### Internal gripper lowering Ø011...

G-GIS011 External diameter 11, screw thread M8

### Replacement tube

EG-GI011-S for internal gripper counter bore GIS011

Pos.	Description
1	Hull
2	Arbor
3	Tube
4	Counter sunk screw

# G-GIS012

Technical specifications



### Operating mode:

The internal grippers dip into drillings, enlarge their external diameter by expansion of the silicone membrane, under pressure, and thus frictionally engaged hold to the bore wall. When pressure is switched off, the silicone membrane self-reliant retracts into the grippers inside due to its elastic behavior.

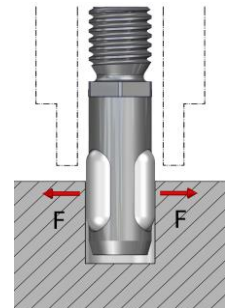
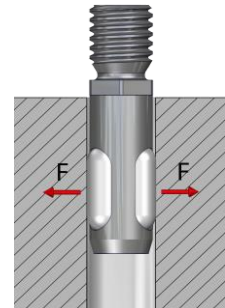
### Advantages:

- Minimum installation size possible
- Width across flats for assembly
- Minimum immersion depth
- Low gripper weight
- Simple gripper principle
- Cost-efficient
- Quick membrane replacement possible
- Indirect request via pressure switch in the supply line possible



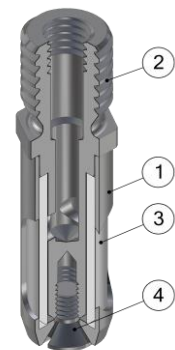
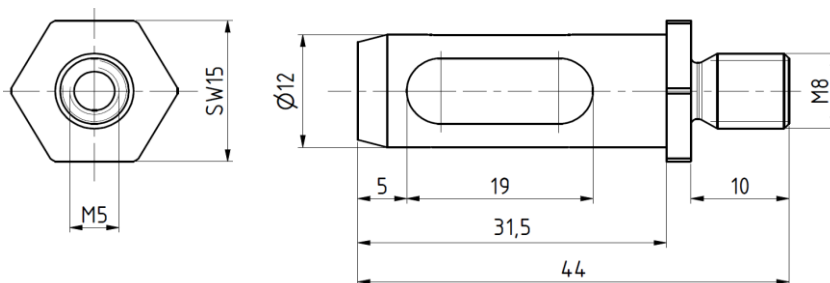
### Technical specifications

Technical specifications	GIS012
Working pressure [bar]	3 - 6
Grip force at 6 bar [N]	30
For bore diameter [mm]	12,1 – 13,5
Allowed component weight [kg]	3
Gripper weight [kg]	0.023
Compressed air connection Ø	M5
Assembly Ø	M8
Stroke cycles at ideal application conditions	500.000
Membrane material	Silicone rubber
Temperature range	-40° C to 300° C



### Limits of the application range

Minimum immersion depth of the membrane [%]	80
To protect the membrane from damage at low installation depth, use customers hull	DH = DGIS+10%
Reduced grip force, when the membrane is not completely covered	



### Internal gripper lowering Ø012...

G-GIS012 External diameter 12, screw thread M8

### Replacement tube

EG-GI012-S for internal gripper counter bore GIS012

Pos.	Description
1	Hull
2	Arbor
3	Tube
4	Counter sunk screw