

G-SHW050

Technical specifications

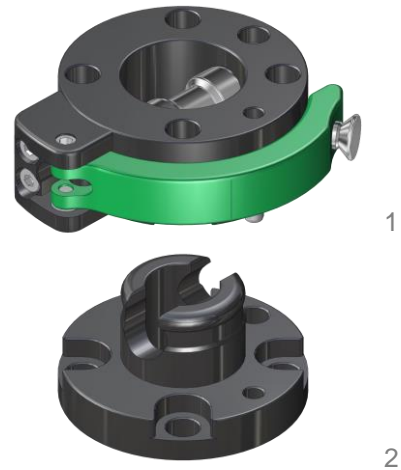


Operating mode:

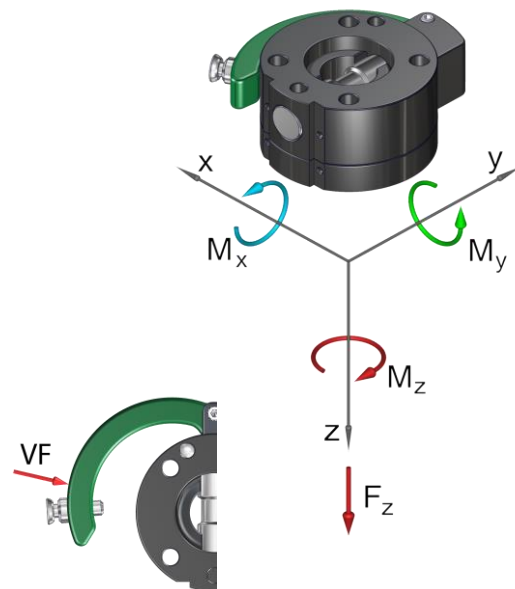
By operating the hand lever on the upper assembly (1), the crossway bolt is displaced radially. The crossway bolt is pressed into the bore of the lower assembly (2).

Advantages:

- Withstands high loads with low dead weight
- Intuitive operation
- Can be released and closed with one handle
- High repeat accuracy +/- 0.02 mm
- Holds up to 5,000 changing cycles
- Interface according to DIN EN ISO 9409-1



Technical specifications		SHW050
Basic material		Al. anod.
External diameter x height [mm]		50 x 32
Pitch circle diameter [mm]		40
Repeat accuracy +/- [mm]		0,02
Tension Fz [N]		540
Compression -Fz [kN]		48
Torsion Mz [Nm]		54
Bending Mx, My [Nm]		50
Mass [kg]	upper assembly	0,13
	lower assembly	0,05
Recommended load [kg]		8* / 12**
Locking force VF [N]		4 - 50
Locking stroke VH [mm]		0 - 0,8
Operating temperature range [°C]		-30 to +120
* This guideline applies to the following assumptions: Acceleration: 10 m/s ² , gravity distance: 100 mm, double safety		
** This guideline applies to the following assumptions: Acceleration: 5 m/s ² , gravity distance: 100 mm, double safety		



Pos.	Description
1	Upper assembly
2	Crossway bolt (CB)
3	Hand lever
4	Holder
5	Strap pin (SP)
6	Spring locking pin
7	Guiding screw
8	Index pin
9	Cylinder bolt SP
10	Cylinder bolt CB
11	Shim ring
12	Lower assembly

SHW050 Connector, drilled acc. to ISO...	
G-SHW050-2O	upper assembly, Al, anodized
G-SHW050-2U	lower assembly, Al, anodized

