

G-SWA125

Technical specifications

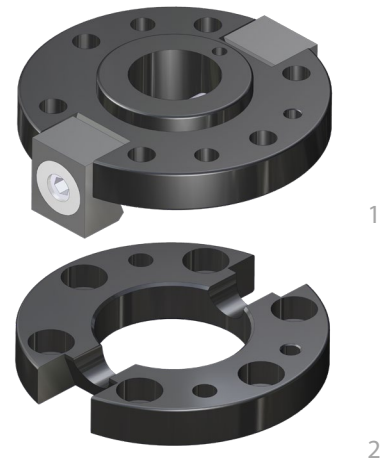


Operating mode:

By turning the axis, the upper (1) and the lower assembly (2) are locked. The wedge-shaped flanges brace the system in a form-closed manner.

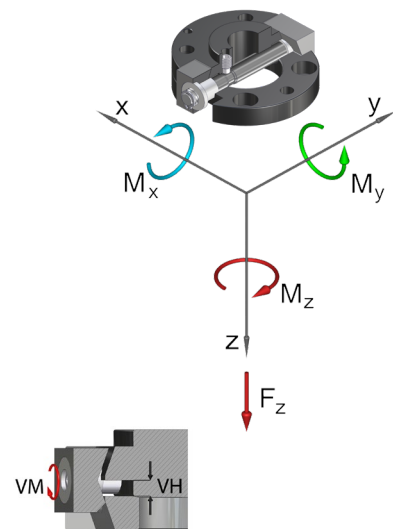
Advantages:

- Reduced height to a minimum
- Very low interference contours
- High repeat accuracy +/- 0,02 mm
- Holds up to 10,000 changing cycles
- During locking, the lower assembly is pulled around the locking stroke
- Interface according to DIN EN ISO 9409-1



Technical specifications		SWA125	
Basic material		Al, anod.	St, nitrated
External diameter x height [mm]		125 x 30	
Pitch circle diameter [mm]		100	
Repeat accuracy +/- [mm]		0,02	
Tension Fz [N]		1.800	2.100
Compression -Fz [kN]		377	754
Torsion Mz [Nm]		300	350
Bending Mx [Nm]		220	250
Bending My [Nm]		150	175
Mass [kg]	Upper assembly	0,8	1,6
	Lower assembly	0,35	1
Recommended load [kg] *		30	35
Locking torque VM [Nm]		36	
Locking stroke VH [mm]		0 - 11	
Operating temperature range [°C]		-30 to +120	

* This guideline applies to the following assumptions:
Acceleration: 10 m/s², gravity distance: 100 mm, 2,5 times safety

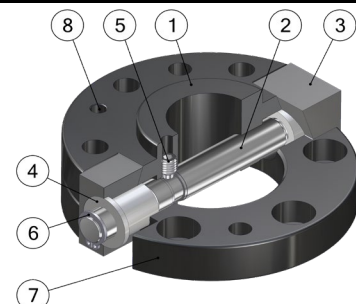


Quick change adapter Ø125, drilled according to ISO...

G-SWA125-2O	upper assembly, Al, anodized
G-SWA125-2O-N	upper assembly, steel, nitrated
G-SWA125-2U	lower assembly, Al, anodized
G-SWA125-2U-N	lower assembly, steel, nitrated

Replacement axis...

EG-SWA125-A	for SWA125
-------------	------------



Pos.	Description
1	Upper assembly
2	Axis
3	Flange
4	Screw nut
5	Setscrew
6	Locking ring
7	Lower assembly
8	Index pin