

G-SWS080

Technical specifications

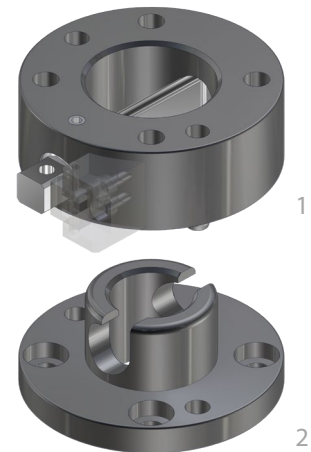


Operating mode:

By rotating the semi-cylindrical bolt by 180° the upper assembly (1) and the lower assembly (2) are braced in a form-closed manner

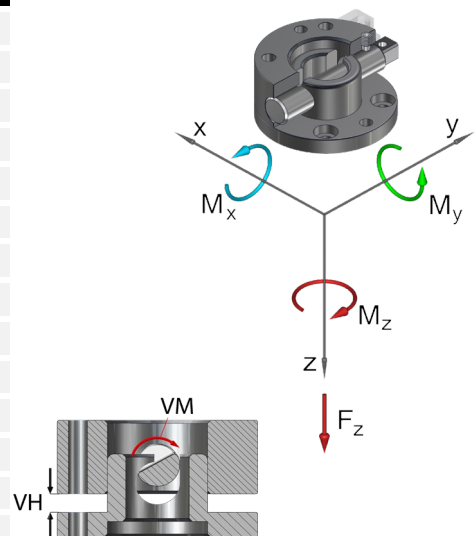
Advantages:

- Cost-effective alternative to the MGW
- Without hand lever, thereby low interference contours
- High repeat accuracy +/- 0,02 mm
- Optional connection of a power coupling MEK for electrical and pneumatical ducts
- Holds up to 10,000 changing cycles
- During locking, the lower assembly is pulled around the locking stroke
- Interface according to DIN EN ISO 9409-1



Technical specifications		SWS080	
Basic material		steel	steel, nitrated
External diameter x Height [mm]		80 x 37	
Pitch circle diameter [mm]		63	
Repeat accuracy +/- [mm]		0,02	
Tension Fz [N]		2.500	3.000
Compression -Fz [kN]		235	313
Torsion Mz [Nm]		100	120
Bending Mx, My [Nm]		140	160
Mass [kg]	upper assembly	0,92	
	lower assembly	0,5	
Recommended load [kg] *		25	28
Locking moment VM [Nm]		3 - 9	
Locking stroke VH [mm]		0 - 8	
Operating temperature range [°C]		-30 to +120	

* This guideline applies to the following assumptions:
Acceleration: 10m/s², gravity distance: 100 mm, double safety



Quick change system Ø80, drilled according to ISO...

G-SWS080-2O	upper assembly, steel
G-SWS080-2OE	upper assembly, steel, E-Mounting
G-SWS080-2OEN	upper assembly, steel, E-Mounting, nitrated
G-SWS080-2O-N	upper assembly, steel, nitrated
G-MGW080-2UEN	lower assembly, E-Mounting, steel, nitrated
G-MGW080-2U-N	lower assembly, steel, nitrated

Replacement semi-cylindrical bolt safety...

EG-SWS080-VS2	for SWS080
---------------	------------

Square socket key...

ZG-VKS080-SW10	for SW 10
----------------	-----------

Pos.	Description
1	Upper assembly
2	Semi-cylindrical bolt
3	Setscrew
4	Index pin
5	Anti-rotation lock (opt.)
9	Lower assembly

