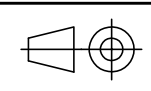


Bestellnummer Oberteil  
 G-MEK125-O-8Pk2-1E12  
 G-MEK125-O-8Pk3-1E12  
 G-MEK125-O-8Pk4-1E12

G-MEK125-O-8Pk2-1E6-C\*  
 G-MEK125-O-8Pk3-1E6-C\*  
 G-MEK125-O-8Pk4-1E6-C\*

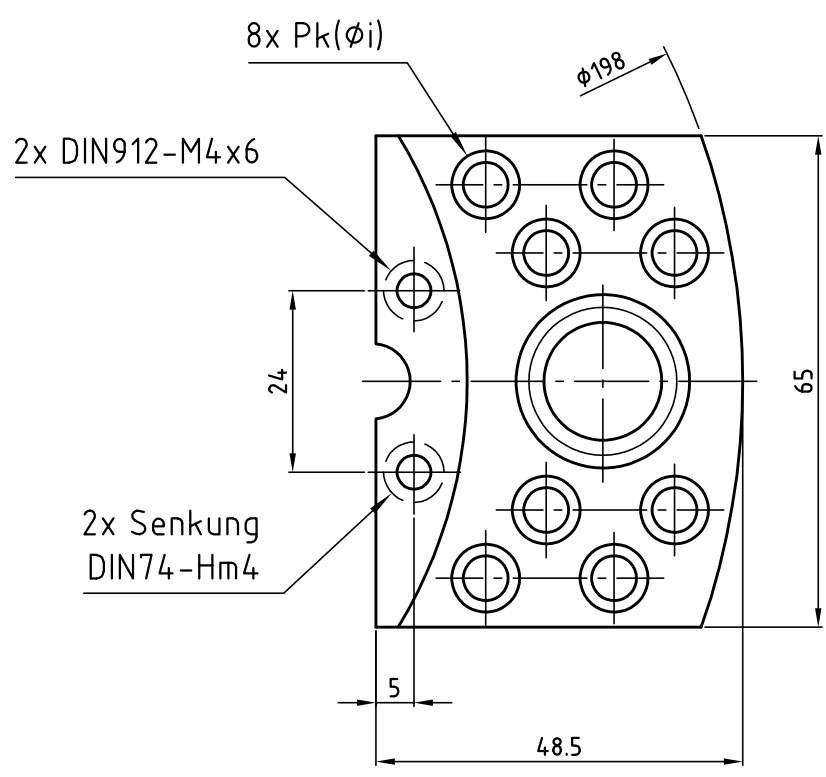
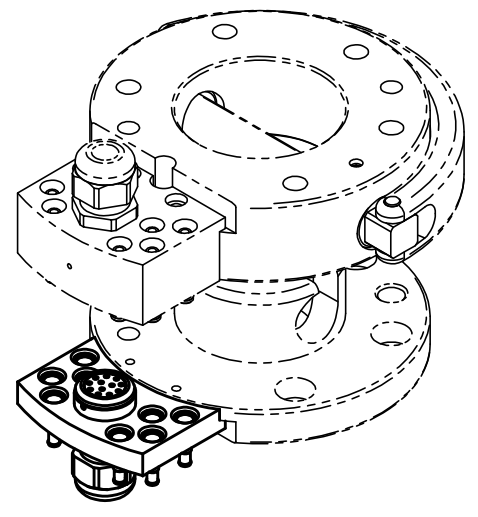
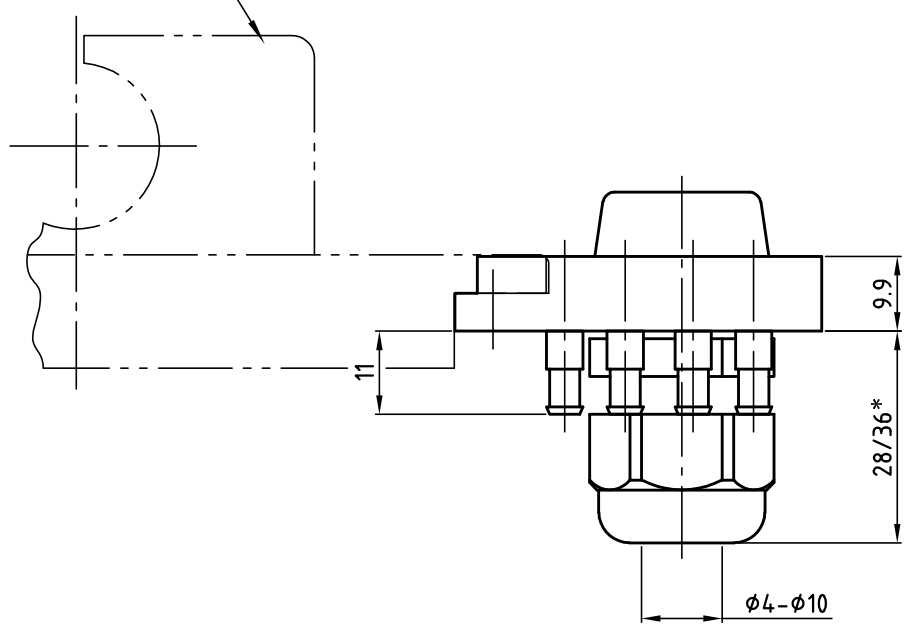
Datum 10.11.2016 Maßstab 1:1

Zeichnungsnummer  
 G-MEK125-O-8P-1E



**GRIP**  
 GRIP GmbH Handhabungstechnik

MGW125-2UE

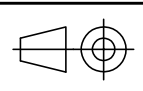


Bestellnummer Unterteil  
 G-MEK125-U-8Pk2-1E12  
 G-MEK125-U-8Pk3-1E12  
 G-MEK125-U-8Pk4-1E12

G-MEK125-U-8Pk2-1E6-C\*  
 G-MEK125-U-8Pk3-1E6-C\*  
 G-MEK125-U-8Pk4-1E6-C\*

Datum 10.11.2016 Maßstab 1:1

Zeichnungsnummer  
 G-MEK125-U-8P-1E



**GRIP**  
 GRIP GmbH Handhabungstechnik