

Bestellnummer Oberteil

G-MEK125-O-8Pk2-1E12
 G-MEK125-O-8Pk3-1E12
 G-MEK125-O-8Pk4-1E12

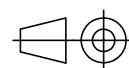
G-MEK125-O-8Pk2-1E6-C*
 G-MEK125-O-8Pk3-1E6-C*
 G-MEK125-O-8Pk4-1E6-C*

Datum 10.11.2016

Maßstab 1:1

Zeichnungsnummer

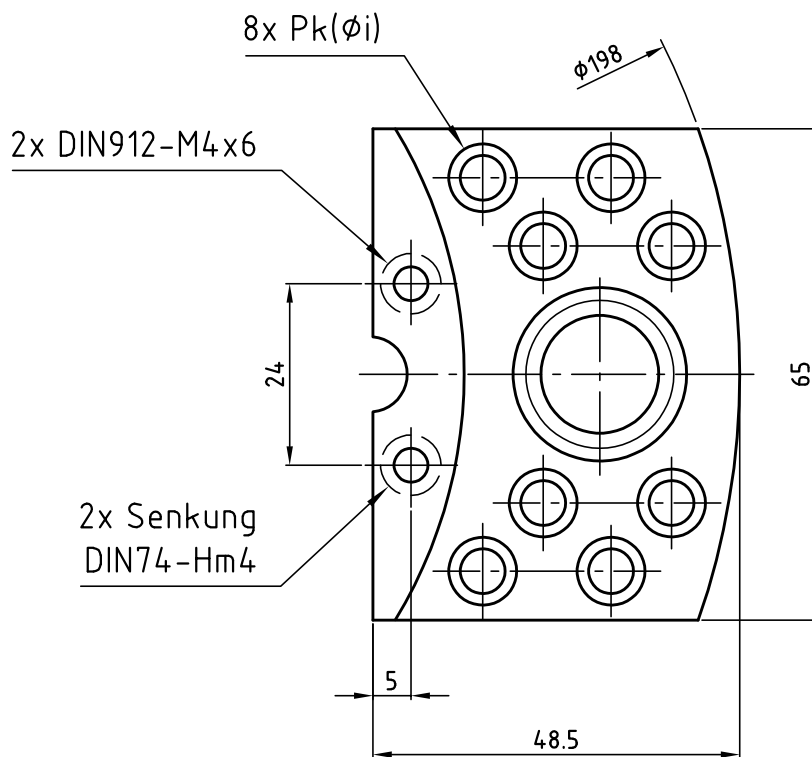
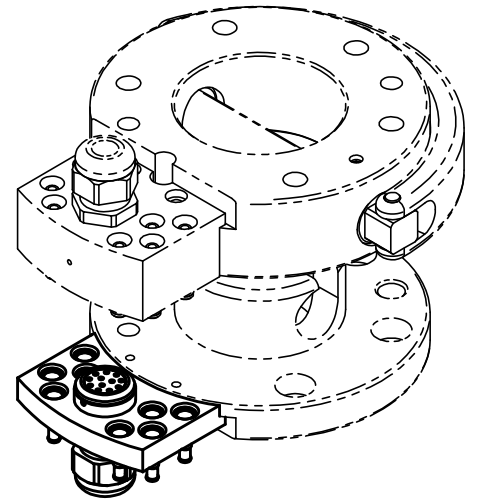
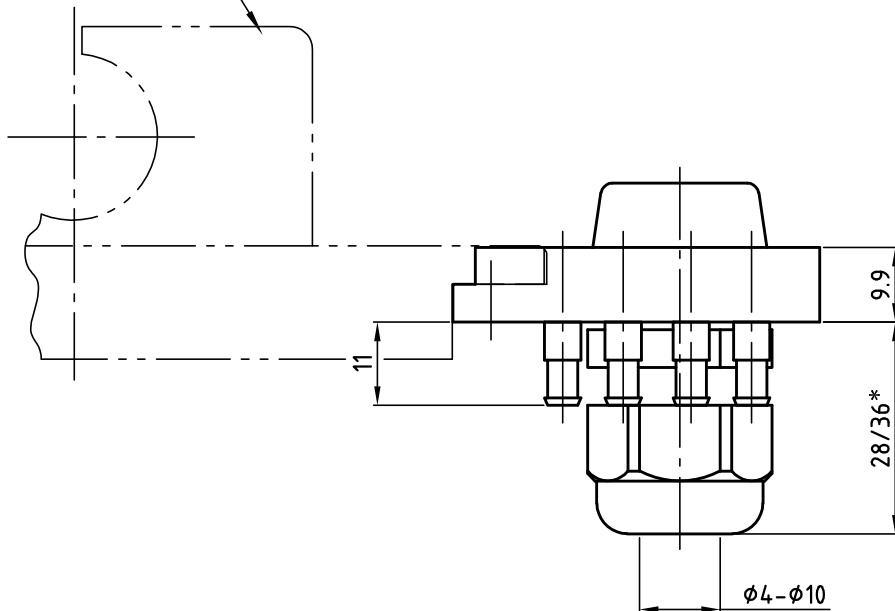
G-MEK125-O-8P-1E



GRIP

GRIP GmbH Handhabungstechnik

MGW125-2UE



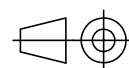
Bestellnummer Unterteil

G-MEK125-U-8Pk2-1E12
G-MEK125-U-8Pk3-1E12
G-MEK125-U-8Pk4-1E12

G-MEK125-U-8Pk2-1E6-C*
G-MEK125-U-8Pk3-1E6-C*
G-MEK125-U-8Pk4-1E6-C*

Datum 10.11.2016 Maßstab 1:1

Zeichnungsnummer
G-MEK125-U-8P-1E



GRIP
GRIP GmbH Handhabungstechnik